

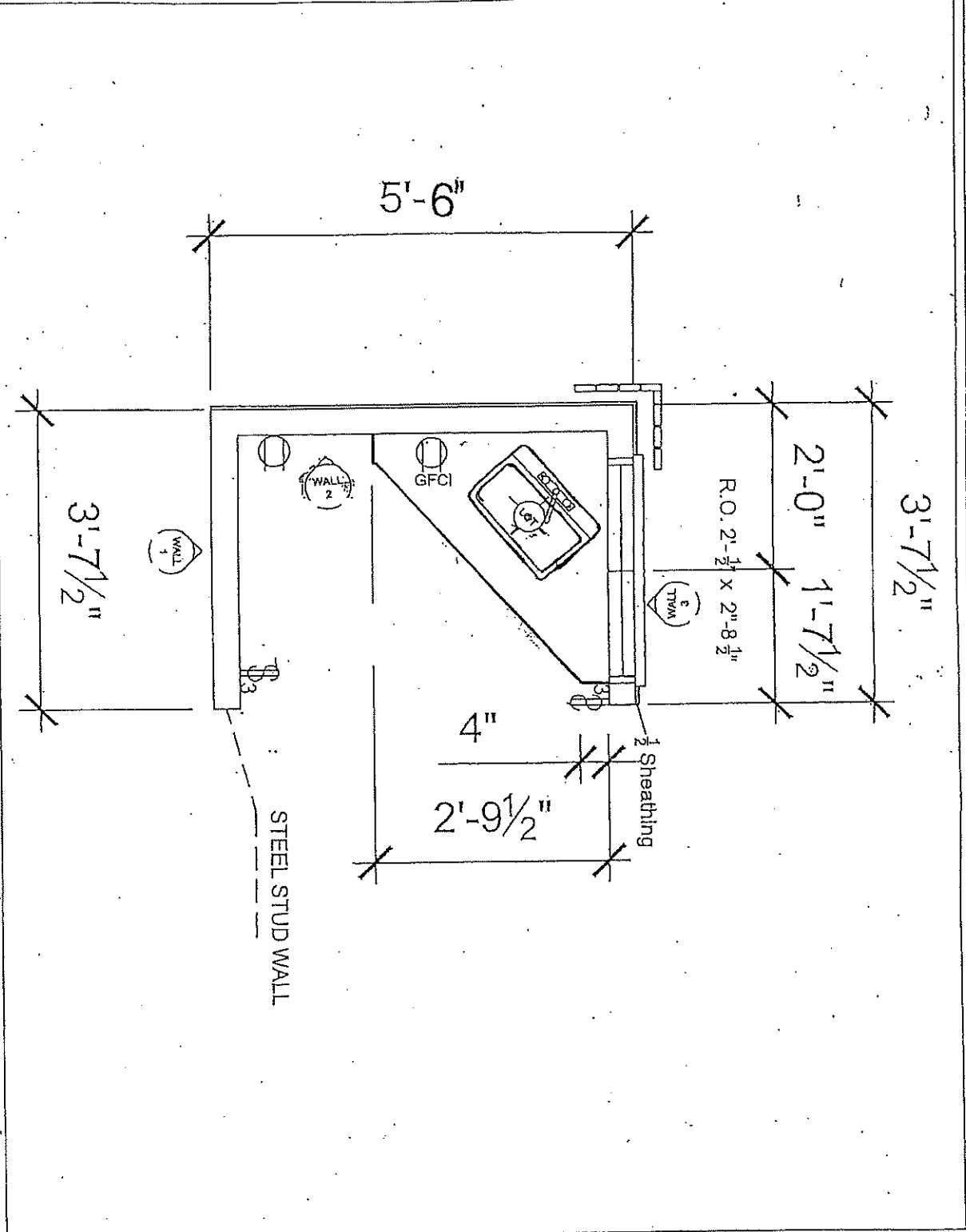
Skills USA

TeamWorks Pre Test

Fill in estimate of materials needed

Estimate quantities from construction plans

SKILLS TEAMWORKS MATERIAL LIST		
		Total
2" *4" * 8' STEEL STUD TRACK		
2 * 4 -12' LUMBER		
2 * 4 - 8' STEEL STUD		
4 * 8 * 1/2 PLYWOOD		
BRICKS AND MORTAR		
12-2 NM ROMEX		
14-2 NM ROMEX		
14-3 NM ROMEX		
3/8 ROMEX CONNECTER		
NM ROMEX STRAPS 1/2		
1 GANG SWITCH COVER LA		
1 GANG DUPLEX COVER LA		
4SQ MUD RING SINGLE GANG		
NM GROOMETS STEEL STUDS		
KEYLESS LAMP HOLDER AND BULB 60W		
GREEN GROUND PIG TAILS		
ONE GANG NAIL ON BOX NM		
4 SQ METAL BOX 5215-VN STEEL CITY		
ROUND NAIL ON BOX NM		
APPLIANCE CORD 8'		
GFCI LA 15A AND COVER		
DUPLEX OUTLET LA 15A		
3WAY SW LA 15A		
RED WIRE NUTS		
GREEN WIRE NUTS		
1 1/2 PVC TEE		
1 1/2 PVC PIPE		
1 1/2 P TRAP KIT		
1 1/2 MALE TRAP ADAPTER		
1/2 CPVC ELBOWS		
1/2 CPVC FEMALÉS		
1/2 10' PVC PIPE WH PB		
PLUMBERS TAPE		
FAUCET SUPPLY LINES STAINLESS 20"		
3/8 * 1/2 SHUT OFF VALVE MALE ENDS		
STAINLESS STEEL BAR SINK		



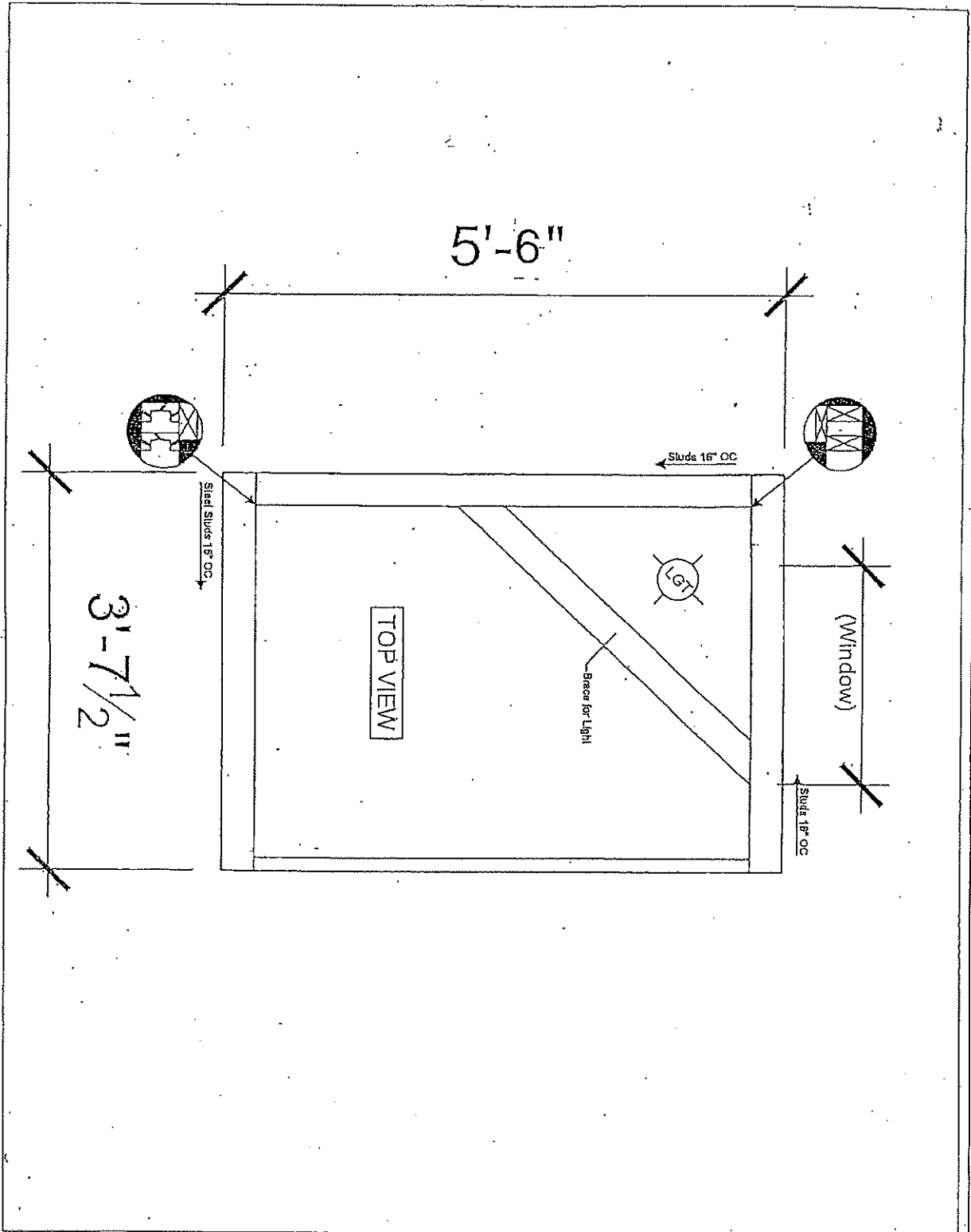
Skills USA

Missouri State Teamwork's Contest

Enrique
saavedra

Project Name	
Project Number	
Project Date	

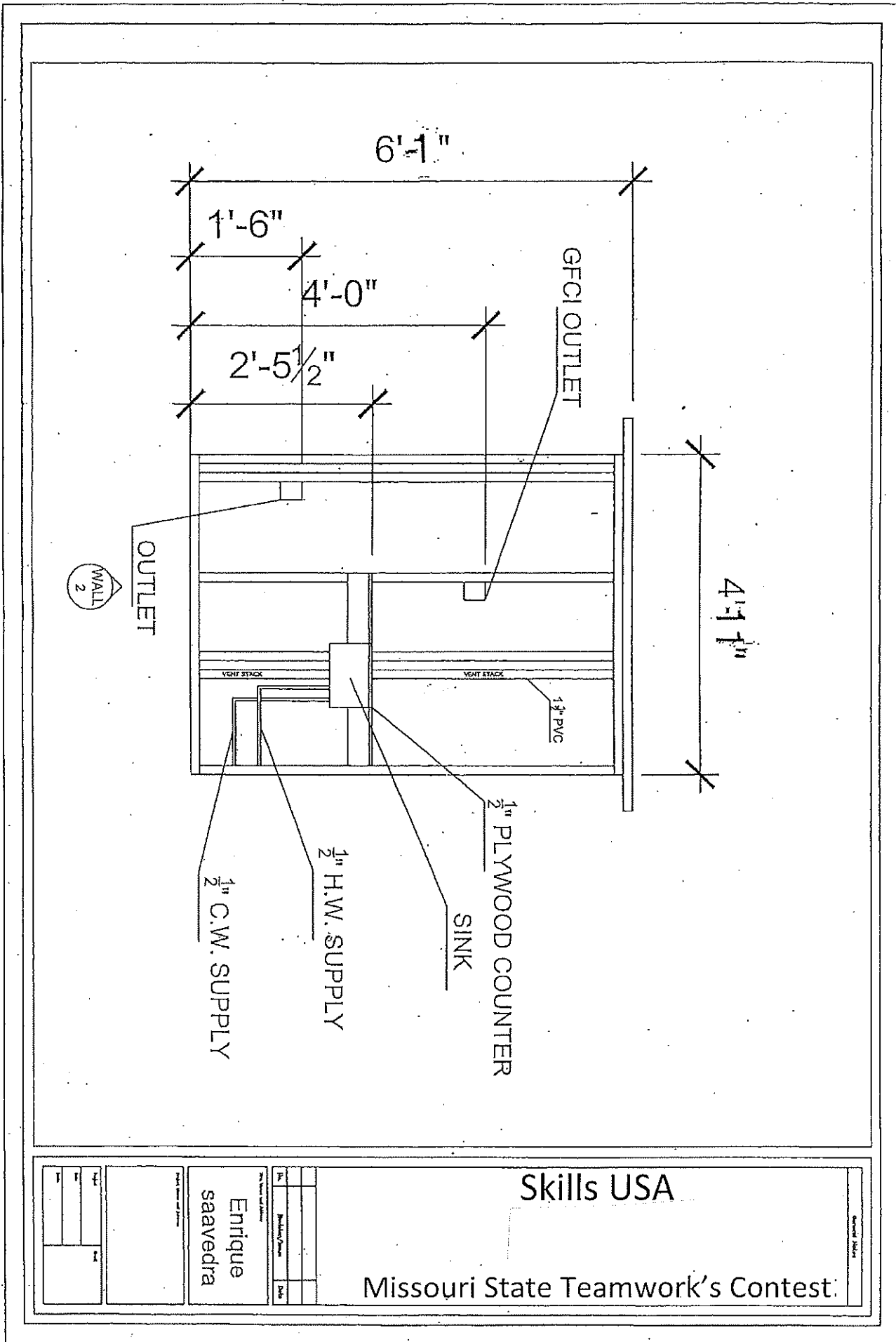
Team Name	
Team Number	
Team Date	



Skills USA

Missouri State Teamwork's Contest

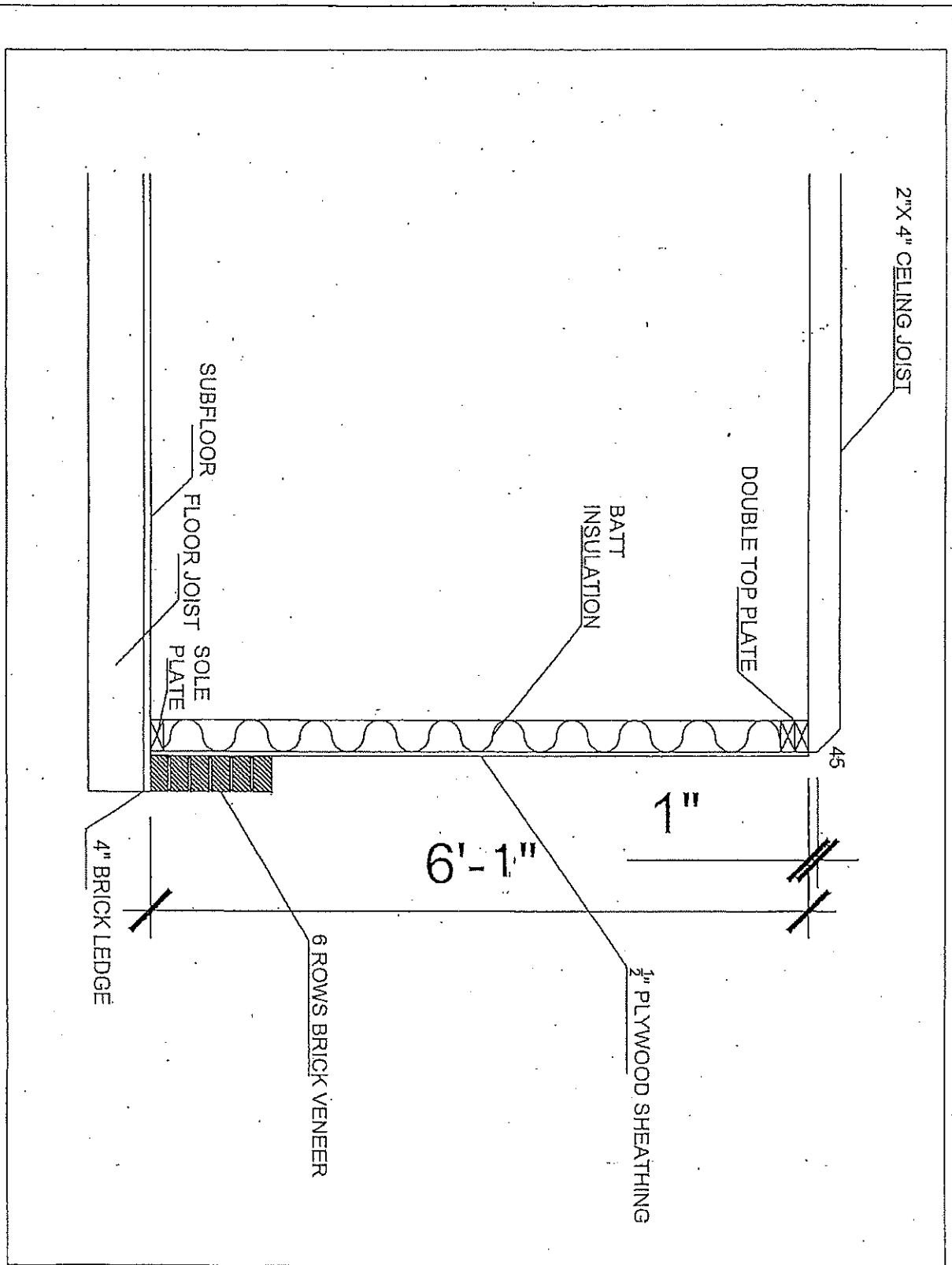
<table border="1" style="width: 100%; border-collapse: collapse;"> <tr><td style="width: 20px; height: 20px;">1</td></tr> <tr><td style="width: 20px; height: 20px;">1</td></tr> <tr><td style="width: 20px; height: 20px;">1</td></tr> </table>	1	1	1	<table border="1" style="width: 100%; border-collapse: collapse;"> <tr><td style="width: 20px; height: 20px;">1</td></tr> <tr><td style="width: 20px; height: 20px;">1</td></tr> <tr><td style="width: 20px; height: 20px;">1</td></tr> </table>	1	1	1	<table border="1" style="width: 100%; border-collapse: collapse;"> <tr><td style="width: 20px; height: 20px;">1</td></tr> <tr><td style="width: 20px; height: 20px;">1</td></tr> <tr><td style="width: 20px; height: 20px;">1</td></tr> </table>	1	1	1	<table border="1" style="width: 100%; border-collapse: collapse;"> <tr><td style="width: 20px; height: 20px;">1</td></tr> <tr><td style="width: 20px; height: 20px;">1</td></tr> <tr><td style="width: 20px; height: 20px;">1</td></tr> </table>	1	1	1	<table border="1" style="width: 100%; border-collapse: collapse;"> <tr> <td style="width: 20px; text-align: center;">Name of Team</td> <td style="width: 20px; text-align: center;">Number of Members</td> <td style="width: 20px; text-align: center;">Date</td> </tr> <tr> <td style="text-align: center;">Enrique saavedra</td> <td></td> <td></td> </tr> </table>	Name of Team	Number of Members	Date	Enrique saavedra			<table border="1" style="width: 100%; border-collapse: collapse;"> <tr> <td style="width: 20px; text-align: center;">Project Name</td> <td style="width: 20px; text-align: center;">Date</td> </tr> <tr> <td></td> <td></td> </tr> </table>	Project Name	Date		
1																											
1																											
1																											
1																											
1																											
1																											
1																											
1																											
1																											
1																											
1																											
1																											
Name of Team	Number of Members	Date																									
Enrique saavedra																											
Project Name	Date																										



Skills USA

Missouri State Teamwork's Contest

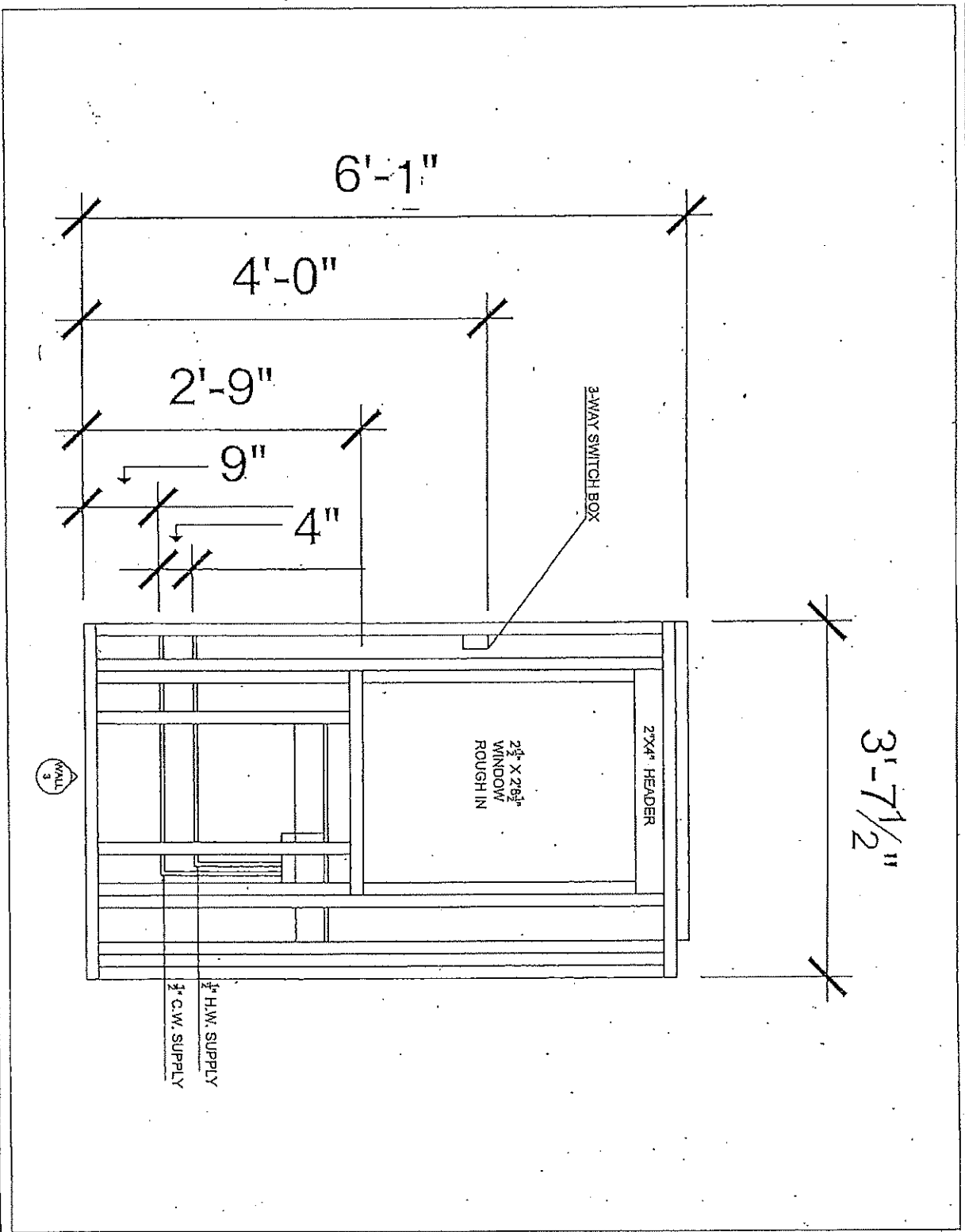
Enrique saavedra	
Name Enrique saavedra	Date
ID	Date
ID	Date
ID	Date



Skills USA

Missouri State Teamwork's Contest

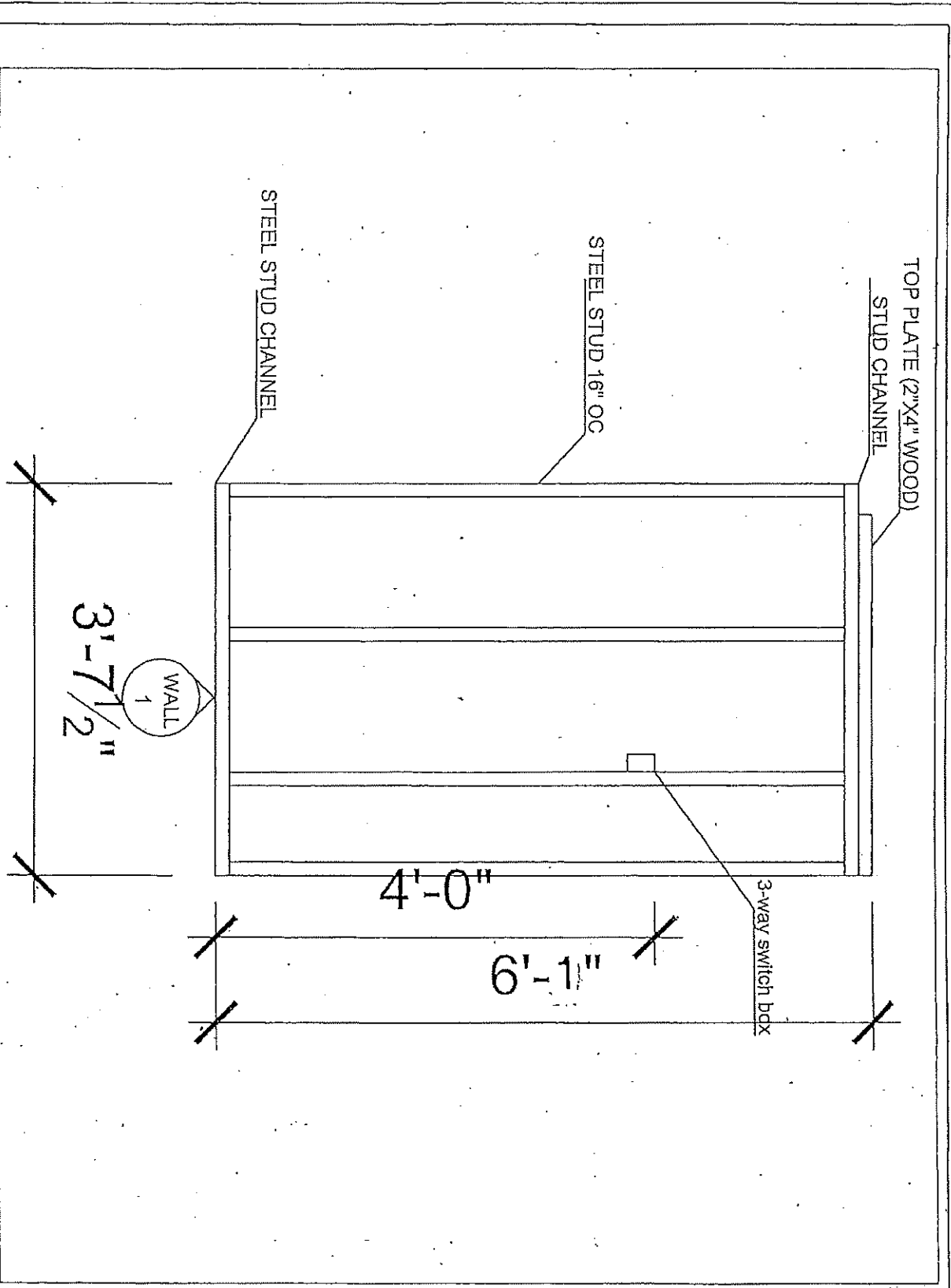
Enrique saavedra	
Student Name	Student Number
School Name	State
Date	Time



Skills USA

Missouri State Teamwork's Contest

Enrique saavedra	F	F	F	F	F
---------------------	---	---	---	---	---

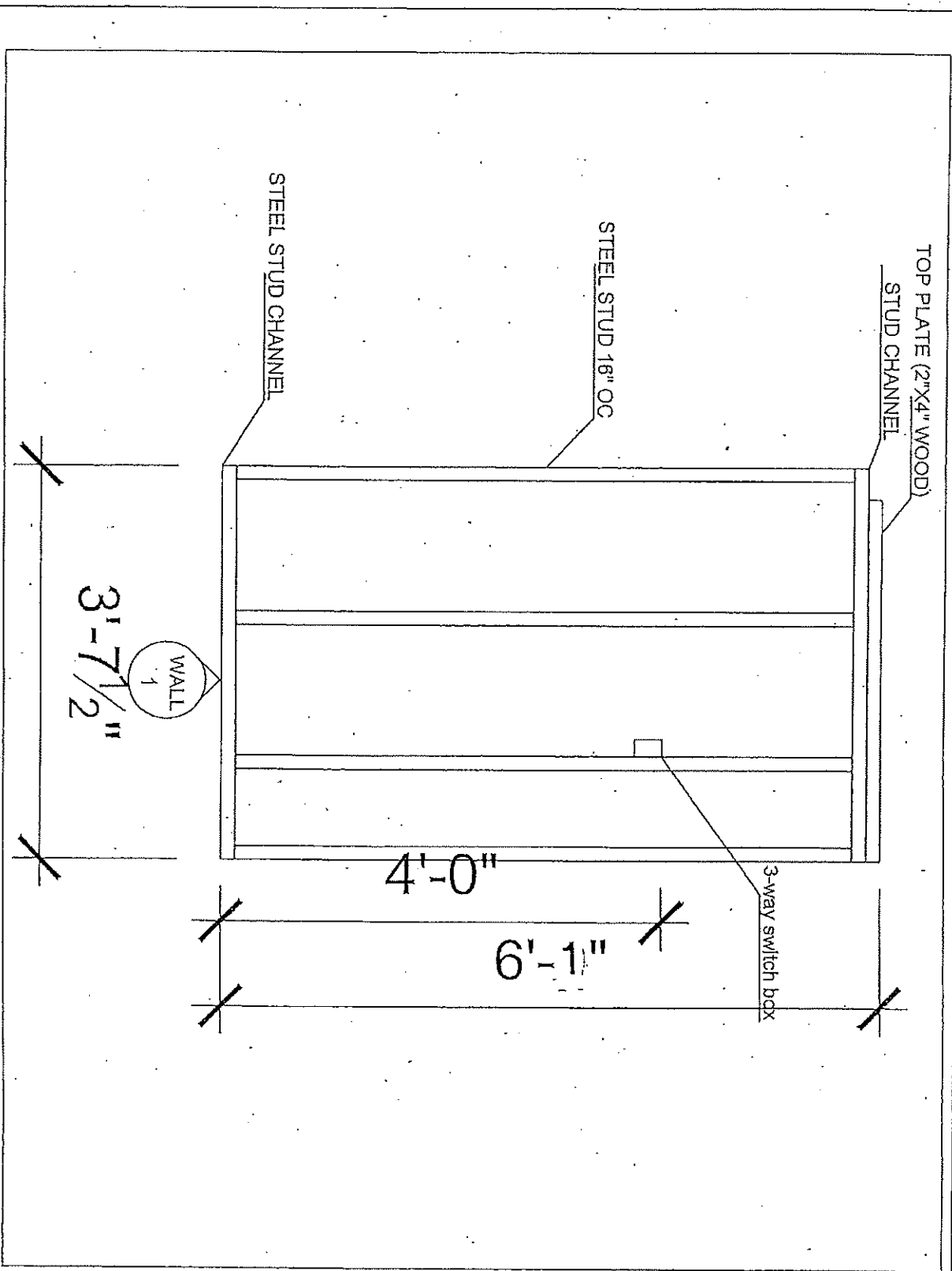


Skills USA

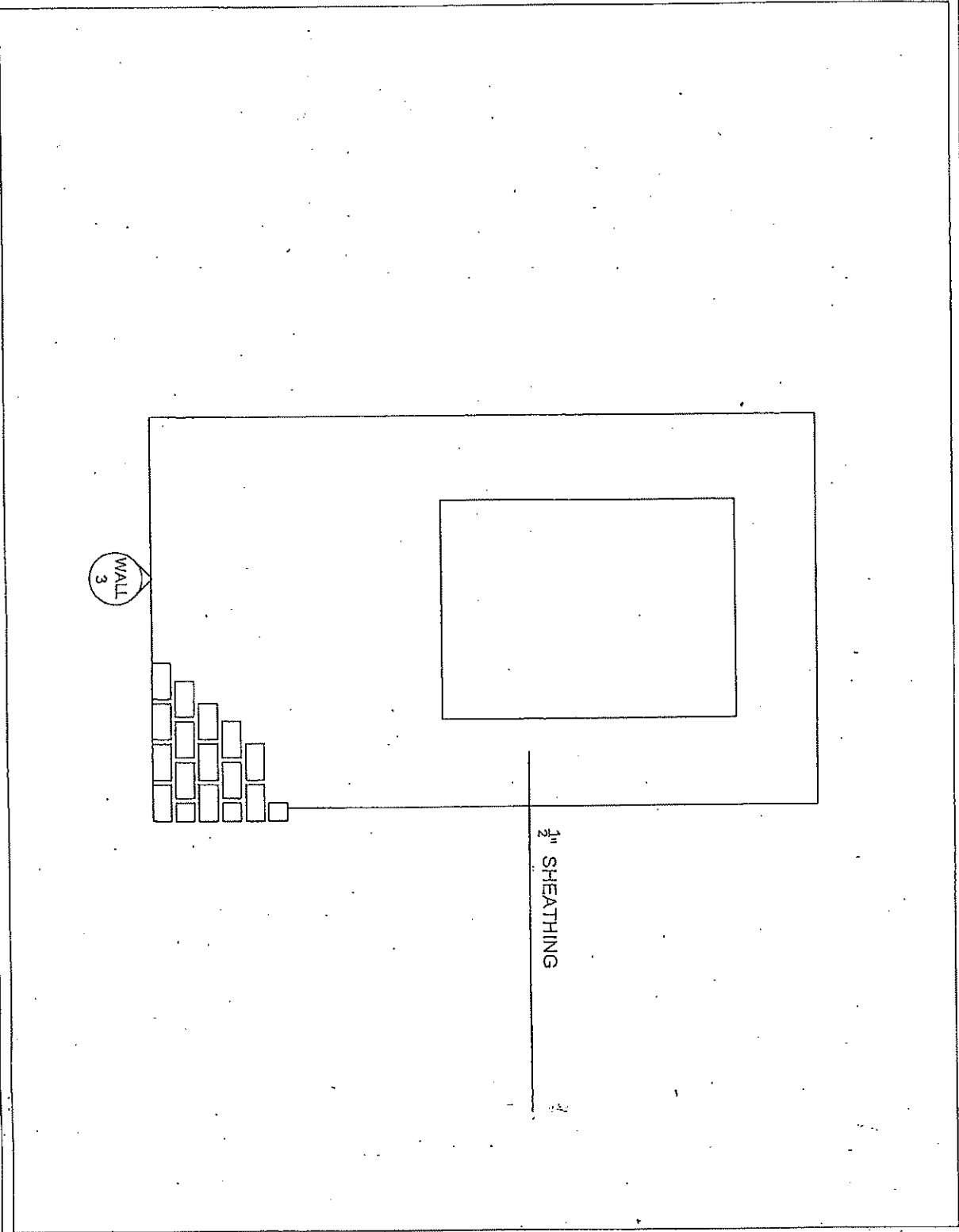
Missouri State Teamwork's Contest

Student Name _____	Date _____	Instructor Name _____	Date _____	Student Name _____	Date _____
-----------------------	---------------	--------------------------	---------------	-----------------------	---------------

Enrique
saavedra



Skills USA	
Missouri State Teamwork's Contest	
Student Name: _____	
Date: _____	
Instructor: _____	
School: _____	
Team Name: _____	
Team Members: _____	
Project Name: _____	
Project Description: _____	
Project Objectives: _____	
Project Results: _____	
Project Evaluation: _____	
Project Reflection: _____	

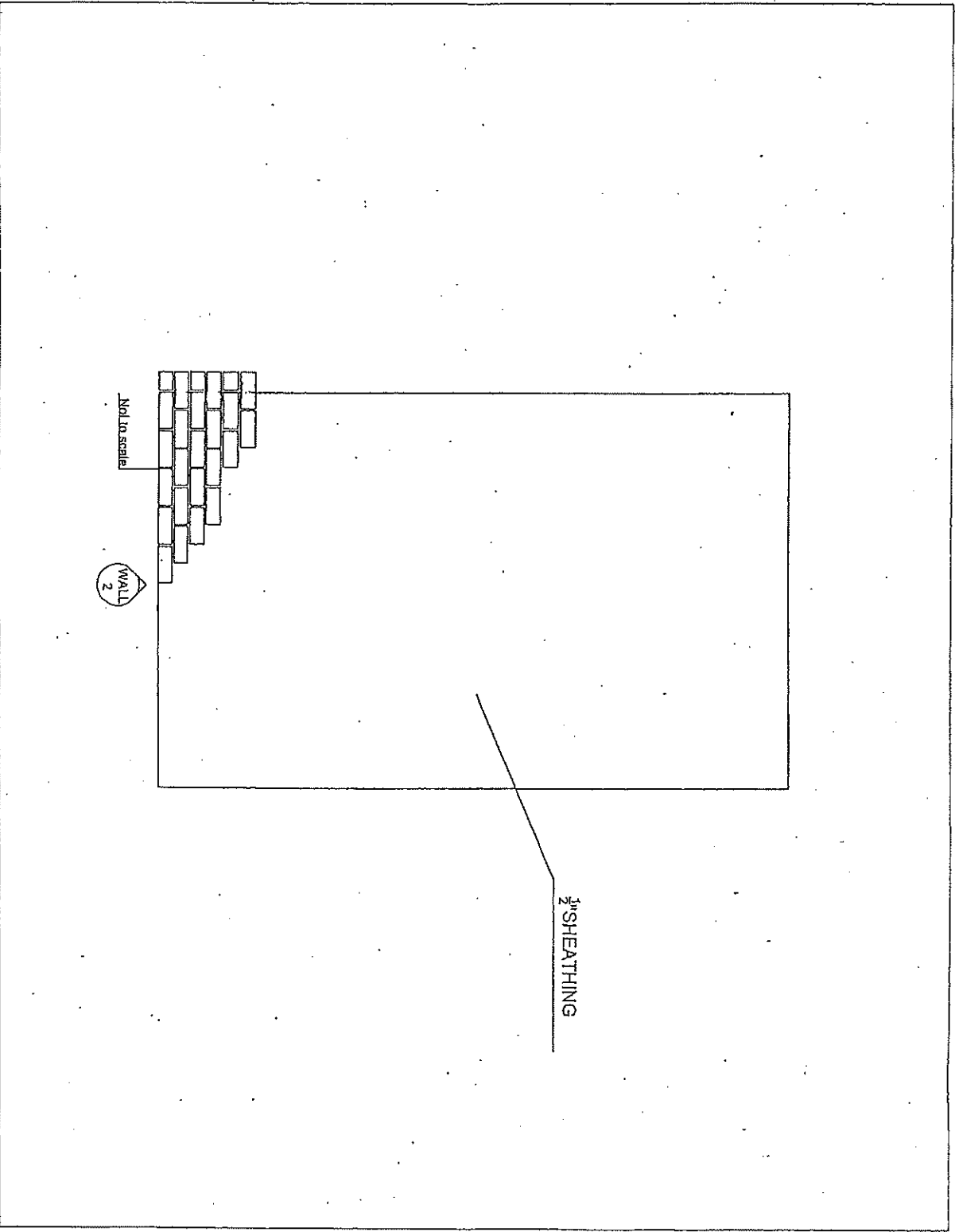


Skills USA

Missouri State Teamwork's Contest

Enrique
saavedra

1	1
2	1
3	1
4	1



Skills USA

Missouri State Teamwork's Contest

Name of Contestant		Date	
Enrique saavedra			
Team Name		Date	
1	1	1	1
1	1	1	1
1	1	1	1